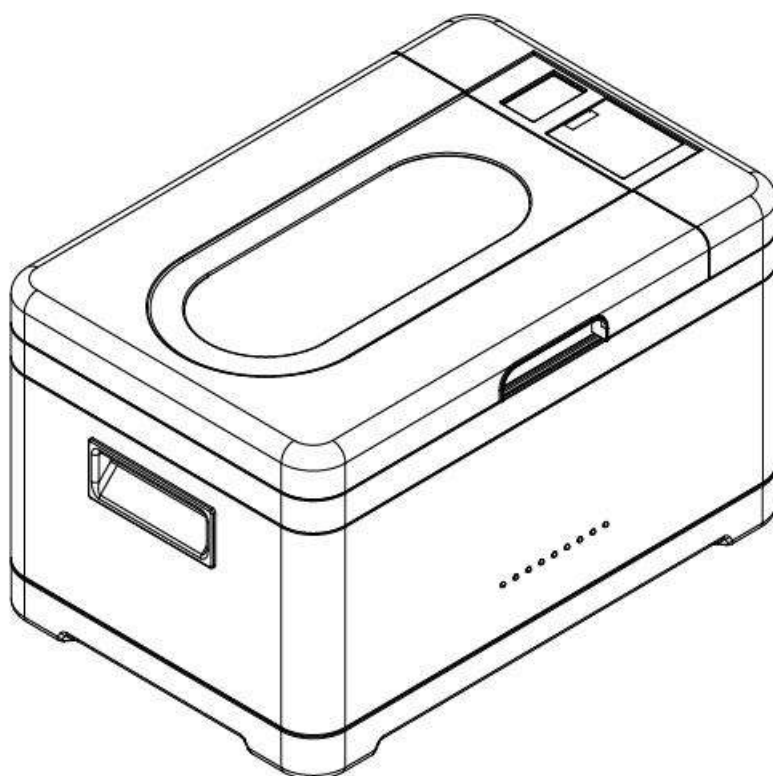




USER'S MANUAL

Recirculating Water Bath RWB8L



Recirculating Water Bath RWB8L

Thank you for purchasing this RWB8L Recirculating Water Bath from IVYX Scientific. If you have any questions, concerns, or issues with this product visit us at www.ivyxscientific.com or contact us at support@ivyxscientific.com.

IMPORTANT SAFEGUARDS

READ ALL INSTRUCTIONS BEFORE USE AND SAVE FOR FUTURE REFERENCE

Do not touch hot surfaces. Use handles or knobs. The lid and lid handles may get hot while turned on; use of heat resistant gloves when handling is advised.

To protect against electrical shock, do not immerse power cord, plug, or unit in water or other liquid.

Children should not use this appliance.

Keep the appliance and power cord away from hot surfaces, heated ovens, or stove burners. Operate the appliance only on a dry, stable surface, such as a table or countertop and away from any moving parts.

Unplug from outlet when not in use and before cleaning. Allow machine to cool before putting in or taking out parts or emptying the water bath. Do not immerse this appliance in water or any other liquid.

Do not use this appliance outdoors.

Do not use this appliance if it has been dropped or appears to be damaged. Do not use this appliance if it has a damaged cord or plug, or after it malfunctions in any manner.

Do not attempt to operate (heat) the unit without sufficient water in the bath to reach the MIN level mark on the sidewall.

Take care not to overfill the water bath; allow sufficient room to accommodate the volume of samples added to water bath. Top off water in bath to no more than the MAX level mark after adding samples.

Extreme caution must be used when moving an appliance containing hot water or other hot liquid. Always allow bath to cool before emptying unit.

Take care when removing the lid when unit is hot, as hot water will condense on the lid during use. Use heat resistant gloves to remove the lid and tip lid carefully to drain accumulated water into the water bath.

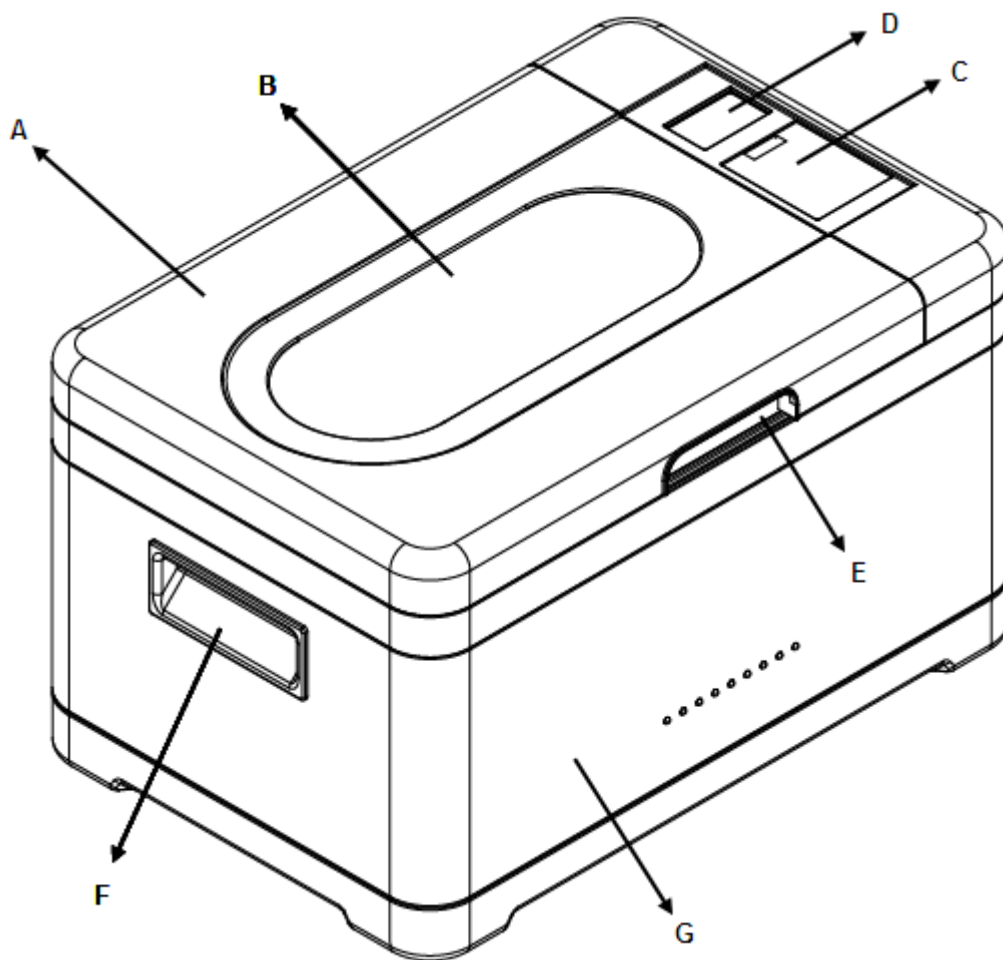
To disconnect, press the START/STOP button to turn off, then remove plug from wall outlet.

This appliance is not intended for use by people with reduced physical, sensory or mental capabilities or who lack experience with electrical appliances.

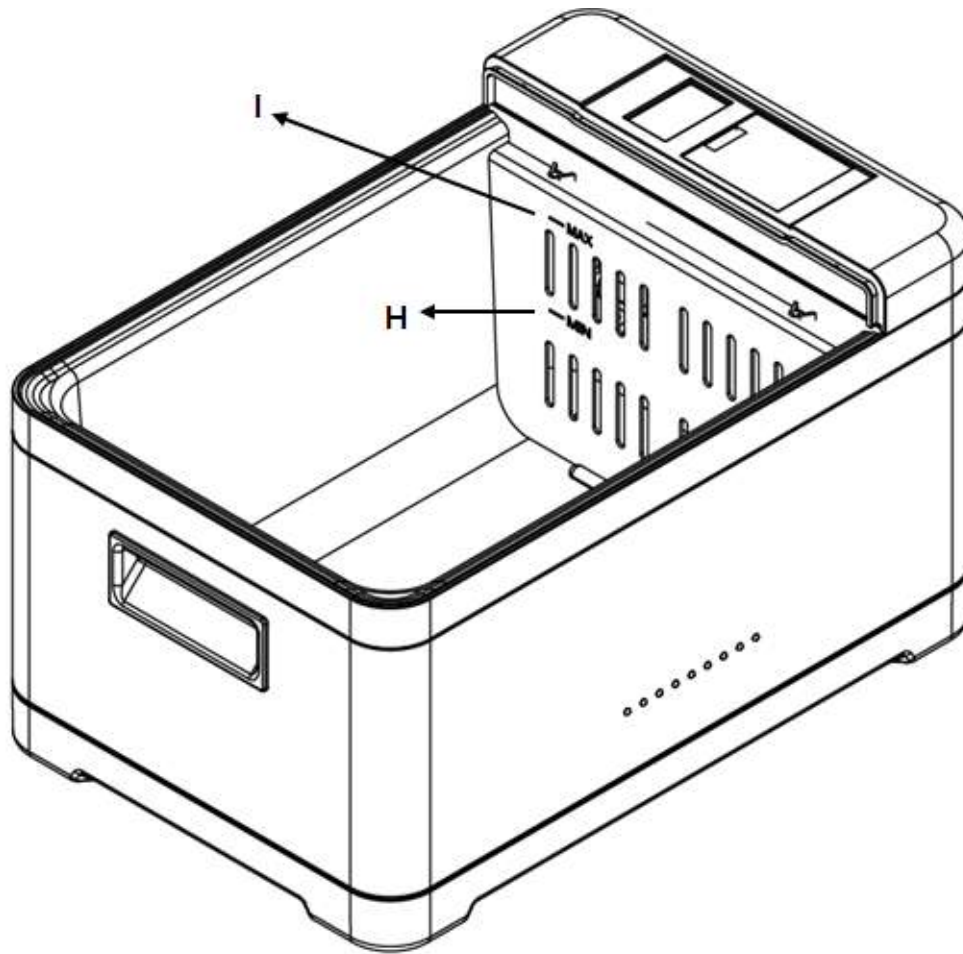
SPECIFICATIONS

Volume	8 Liters (2 gallons)
Power Rating	800W
Voltage	120V, 60Hz
Water Bath Type	Recirculating Water Cycling System
Temperature control system	ACT (Active Control Thermostat) System - monitors the water temperature and automatically adjusts both circulation and temperature
Temperature control	+/- 0.5°C
Temperature Range	Room temperature to 100°C (210°F)
Timer	0-24 Hours
Display	Backlit Digital
External Dimensions	15x10x9 inches

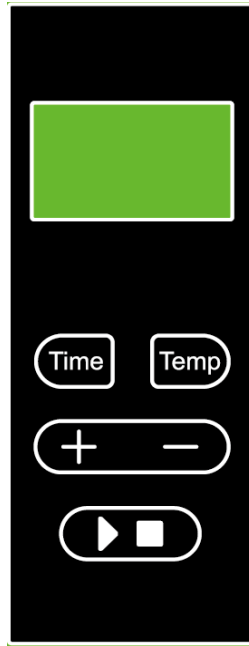
KNOW YOUR PRODUCT



- A. Plastic lid
- B. Viewable glass window
- C. Control panel and PID controller
- D. LCD display screen / LCD displayer
- E. Lid handles
- F. Side handles
- G. Durable stainless steel body



- H. MIN level for the water in the bath
- I. MAX level for the water in the bath



Time: Time setting button, range 0~24 hours. Press once to set the time in hours, press it again to set the time in minutes.

Temp: Temperature setting button, range 0~99°C. Press once to set in Celsius, press again to set in Fahrenheit.

+/-: Increase and decrease time or temperature.

START / STOP: Start and Stop button. Press once to start heating and press again to stop.

OPERATING YOUR PRODUCT

1. Make sure the water bath contains water before using, and make sure the water is not higher than the MAX level or lower than the MIN level. If there is no water in the water bath or if the water level is lower than the MIN level, the machine will not start, and the LCD displayer will show error code E04.
2. Properly insert the electrical cord into the power inlet on the back of the machine and then plug it into the wall socket. When properly plugged in, the display will turn on.
3. Place samples into the water bath.
4. Set time and temperature using the buttons.
5. Press **START** button. The heating and water recirculating icons will appear on the display, indicating that the unit is working.
6. If the timer runs out, the device will not shut off right away. It will stay on for one hour, with a continuing beeping warning tone every minute unless the user presses the **STOP** button to shut off the device.
7. When the set temperature is reached, the machine stops heating, and the heating icon on the display disappears. If the timer is still going the unit will start heating again once the temperature of the water in the bath dips below the set temperature.
8. If the temperature surpasses 85°C, the pump will stop working and the water cycling stops automatically.
9. After using let the water cool before emptying the bath.

NOTICE

A slight noise may be heard at start up, indicating that the water pump is starting to cycle. This noise will disappear in 5-10 seconds.

When adding water into the bath, be sure that the water level is between the MIN and MAX level.

If a container breaks or a sample leaks during heating, take it out, clean the water bath and then start again.

If the unit makes abnormal noise during use, it could be caused by impurities sucked into the pump. In this case, stop the machine, clean it and then restart.

CARE & CLEANING

Do not leave water sitting in the bath after use. Allow water bath to cool, and using the offset handles for stability, pour the bath contents into a sink.

Dry interior with a soft, clean cloth.

If impurities are sucked into the pump, empty the water out of the bath and take off the baffle using a screwdriver. Then add in clean water (with detergent if necessary) and turn on the machine. The water cycle will take out the impurities gradually. After cleaning, turn off and empty the waste water.

Never immerse the unit in water or other liquid for cleaning or rinsing.

Never use abrasives or harsh chemicals to clean your unit.

Never put the unit in a dishwasher.

TROUBLESHOOTING

1 Machine won't start

- Be sure the unit is plugged in and the outlet is working.
- Make sure you are pressing the START/STOP button. If the unit fails to start, reposition your finger and press again.

2 Machine beeps during the heating process

- If the water in the bath is lower than the MIN level before and during the heating process, the machine will beep and the LCD display will show error code E04. In this case, check to make sure that there is sufficient water in the machine.

3 The temperature is not holding to within 0.5°C

- Check to be sure that there is sufficient water in the unit, i.e., the water level at least reaches the MIN.
- Check that samples are not lying on the bottom, occluding all or most of the holes in the perforated bottom grill or impeding circulation around the perimeter of the bath.

4 The LCD display turned off and won't turn back on

- Check to see if there is any water in the unit. If the unit was accidentally turned on with no water in it, then unplug the unit from the wall and let cool. Once cool, use as normal.
- Ensure power cord connections are properly plugged in.

COMPLIANCE

CONFORMS TO UL STD.1026

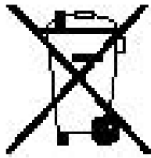
CERTIFIED TO CSA STD.C22.2 NO.64

DATE CODE: DLAE



NOTES FOR DISPOSAL

Disposal of this appliance and packaging must be done in accordance with the corresponding local regulations and requirements for electrical appliances and packaging. Please contact your local disposal company.



Appliances marked with this symbol must not be disposed along with household waste. You are legally bound to dispose of old appliances separately from household waste. Information about collection points where old appliances can be disposed of free of charge is available from your local authorities.

SERVICE INSTRUCTIONS

Do NOT attempt to repair or adjust any electrical or mechanical functions on this unit. Doing so will void the warranty.

If you have any questions or comments regarding the unit's operation or believe any repair is necessary, please contact us at support@ivyxscientific.com. We take pride in offering high quality science equipment. All our products are covered by warranty for 1 year against defects in materials and workmanship.